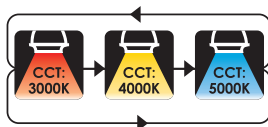
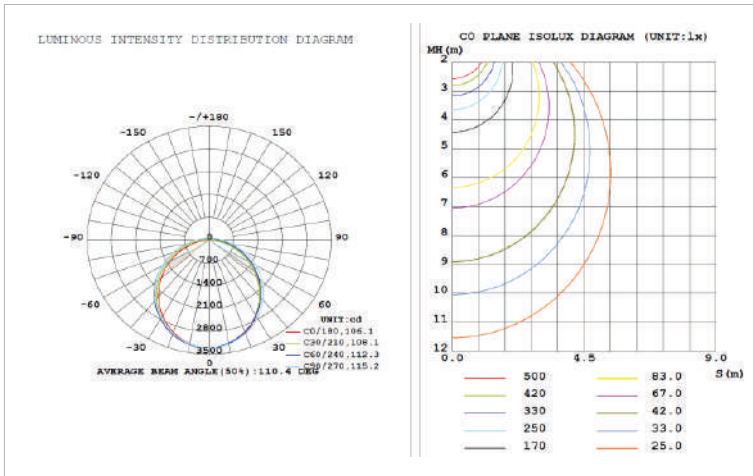


Specifications

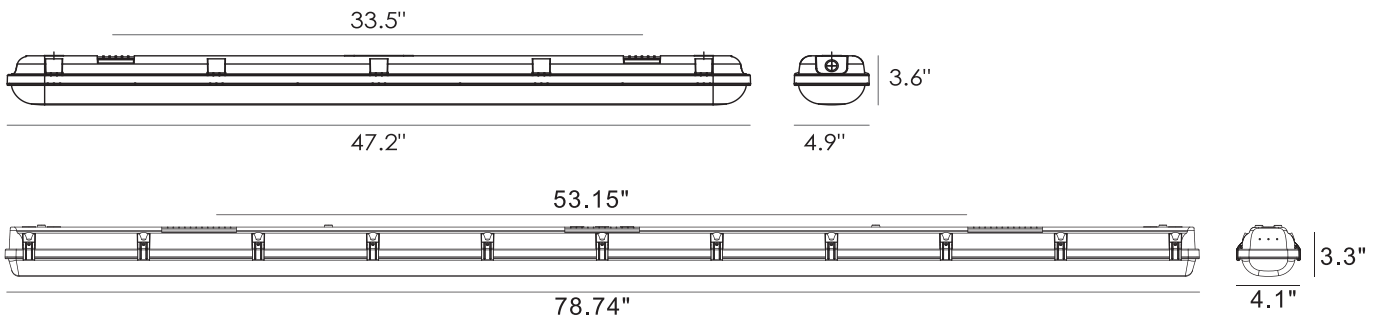
	4FT				8FT
Model#	J5236KLDX-DU48W3P	J5236KLDX-DU48W3P	J5236KLDX-DU48WM-347V	J5236KLDX-DU48W3P-3TS12	J5250KLEX-UF90W3P-3T
Wattage	48W/42W/36W				90W/72W/55W
Sensor	Not Available			Built-in Sensor	Not Available
Efficiency	MAX 6240Lm				MAX 11250Lm
IP Rating	IP65				
Warranty	5 Years (50000Hrs)				
Dimming	0-10V dimming				
Environment	Indoor				
Working Temperatur	-25°C-45°C				
Relative Humidity	10%-90%RH				
LIFESPAN (Hrs) <small>L80B20 @25°C</small>	≥50000Hrs				
CRI	>80				
CCT	4000K	5000K	3000K-4000K-5000K		
Beam Angle	110°				
Input Voltage	120-347V 50/60Hz				
Power Factor	>0.9				
Certificates	UL, FCC, DLC				



LIGHT DISTRIBUTION TESTING PARAMETERS



Dimensions



Built-in Sensor



Detection range: 100%
Hold time : 5min
Stand-by period: 10min
Daylight sensor: Disable
Stand-by dimming: 10%

Option

